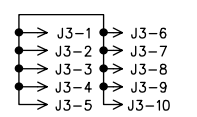
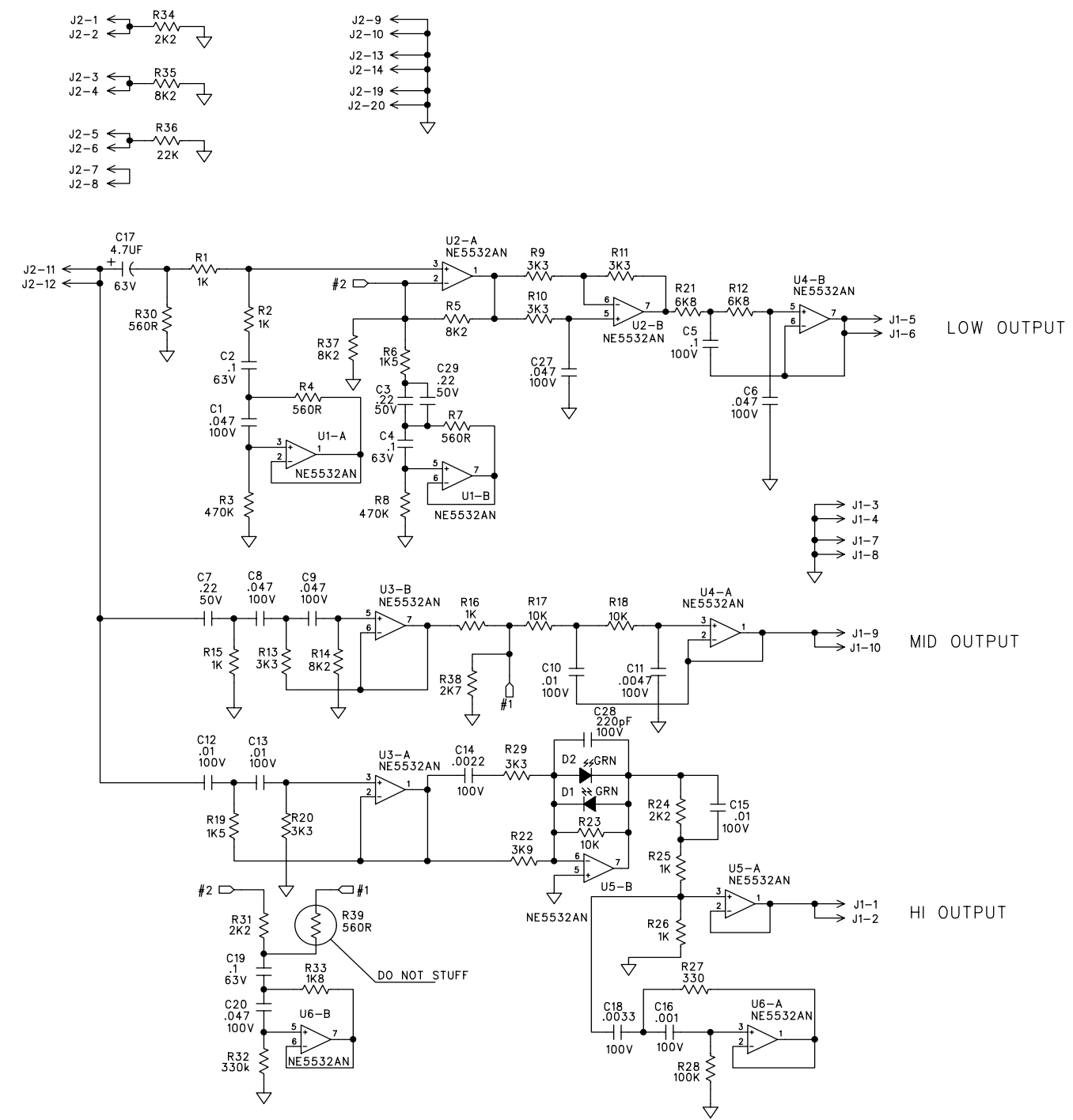
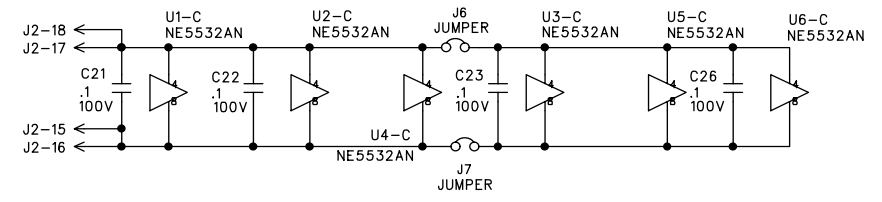


D
C
B
A

D
C
B
A

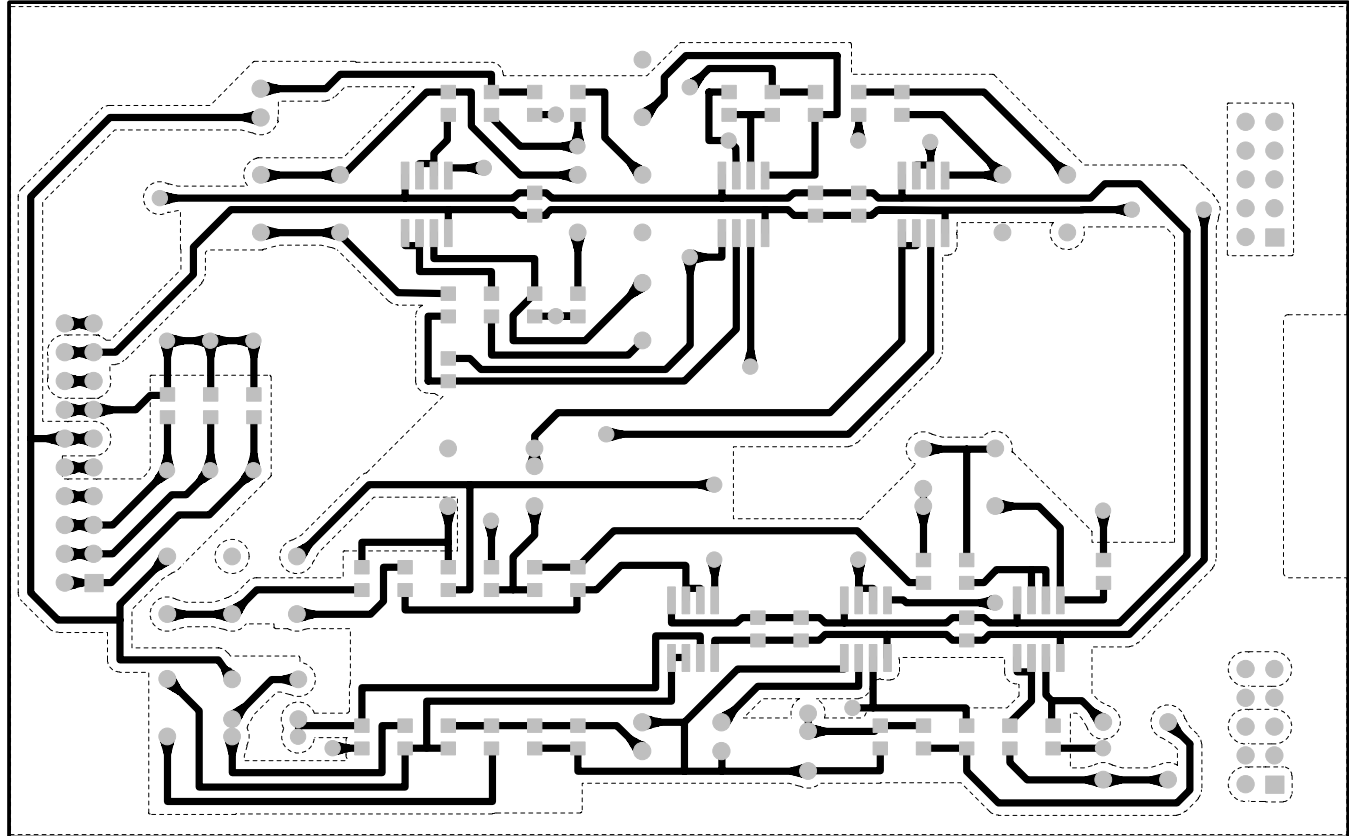
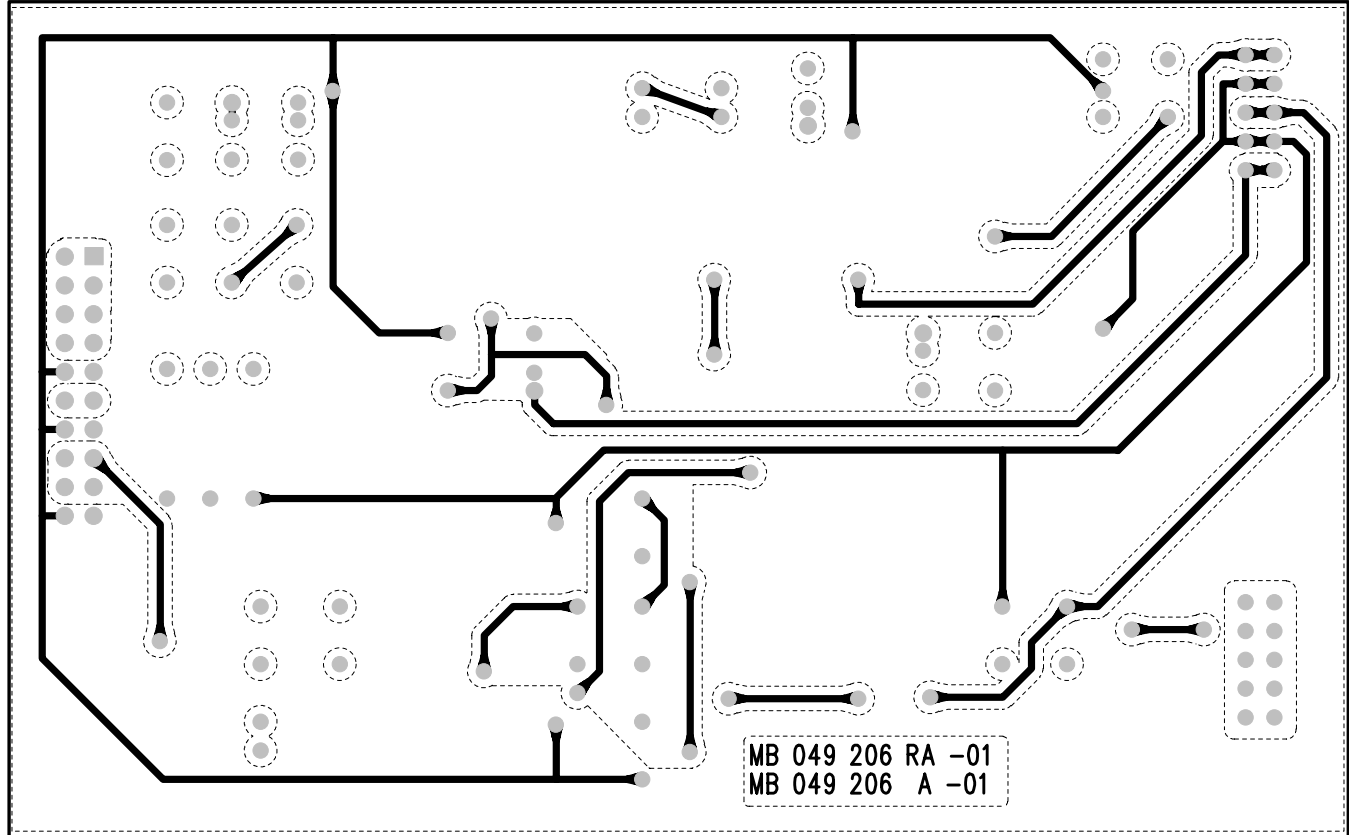


J3 USED FOR MECH. SUPPORT OF EQ PCB



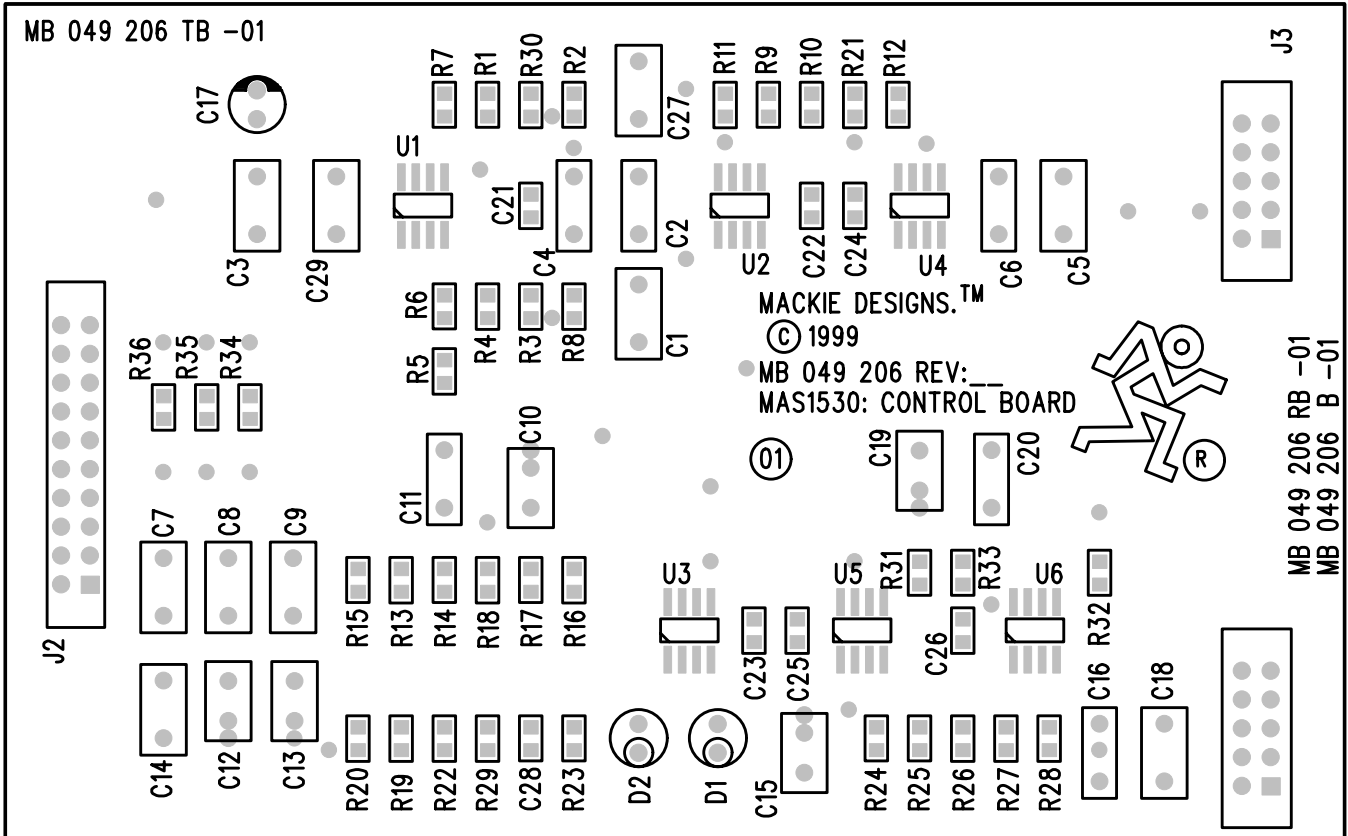
UNLESS OTHERWISE SPECIFIED DIMENSIONS ARE IN INCHES TOLERANCES ARE: FRACTIONS: ±.01 ±.005 DECIMALS: ±.01 ±.005 MATERIAL: SEE NOTES FINISH: SEE NOTES DO NOT SCALE DRAWING	APPROVALS	DATE	 Mackie Designs Inc. Woodinville, Wa.
	STOLZ	28/10/99	
	MATERIAL:		Control board MAS1530
	MFG:		
	MFG ENG:		
	ISSUED: STOLZ	3/1/00	SIZE D SCALE: NONE DWG. NO. MN 044 503 REV. 1 DWG FILE: MN 044 503.sch SHEET 1 OF 1

Bottom of board (copper pour layer is shown by dotted lines)



Top of board (copper pour layer is shown by dotted lines)

Top of board (note that connector J3 is only used to help secure this board to the main board).



This is the first board and it has through-board holes and components, unlike the surface mount board shown on the previous page.

Carefully use a sharp blade to make sure there are no etching shorts in this region, where the traces are very close.

